

Tech Data

Viega Copper Manifold - Valveless



Description

Viega valveless copper manifolds are commonly used in commercial

heating, cooling, and snow melting applications. Viega valveless manifolds are made from type “L” copper tubing and are available in 2", 1½" and 1" configurations. These manifolds are designed to utilize Viega ProPress or solder fitting connections. The 2" and 1½" manifolds are copper (male) headers that are designed to utilize Viega’s ProPress fittings on the inlet and outlet to connect to the primary loop (boiler loop). The 1" manifold is copper (male) and copper (female) for solder connections to the boiler loop.

Features

- 2", 1½", and 1" manifolds
- Type “L” copper tube
- All copper (male) connections are suitable for ProPress or solder attachment



This document is subject to updates. For the most current Viega technical literature please visit www.viega.us.

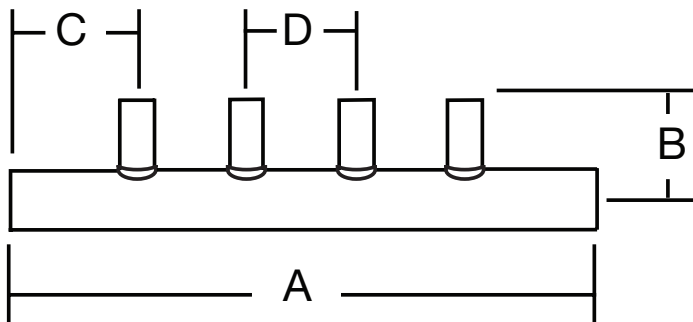


Viega products are designed to be installed by licensed and trained plumbing and mechanical professionals who are familiar with Viega products and their installation. **Installation by non-professionals may void Viega LLC’s warranty.**

Specifications

- Copper: Type “L” ASTM B88
- Min Temp: 36°F
- Max Temp: 250°F
- Max pressure: 200 psi
- Maximum Glycol Mix: 50%


Viega Copper Manifold Valveless - Model 2835US



Part No.	Dimensions	Length with End Cap and Ball Valve	Outlets	gpm	A (in)	B (in)	C (in)	D (in)
17100	2" x ¾"	69.25	18	45	57	2.38	3.0	3.0
17120	1½" x ¾"	68.0	18	32	57	2.13	3.0	3.0
17141	1" x ½"	18.0	3	13	8.75	1.95	2.38	2.0

Valve and Adapter Options for Valveless - Copper Manifolds

Part No.	Valve Type	Connection Type
17263	Shut-Off Balancing	1/2" PureFlow Press x 1/2" Copper female
17264	Shut-Off Balancing	5/8" PureFlow Press x 3/4" Copper female
17265	Shut-Off Balancing	3/4" PureFlow Press x 3/4" Copper female
17260	Shut-Off	1/2" PureFlow Press x 1/2" Copper female
17261	Shut-Off	5/8" PureFlow Press x 3/4" Copper female
17262	Shut-Off	3/4" PureFlow Press x 3/4" Copper female
92026	Shut-Off Balancing	1/2" PureFlow Press x 3/4" Copper female adapter
82031	Shut-Off Balancing	5/8" PureFlow Press x 3/4" Copper female adapter
92041	Shut-Off Balancing	3/4" PureFlow Press x 3/4" Copper female adapter
99626	Shut-Off	1/2" PureFlow Press x 3/4" Copper female adapter
99640	Shut-Off	3/4" PureFlow Press x 3/4" Copper female adapter

 **Viega LLC**
585 Interlocken Blvd.
Broomfield, CO 80021

Phone (800) 976-9819
www.viega.us

TD-HC 0624 Copper Manifold - Valveless

